

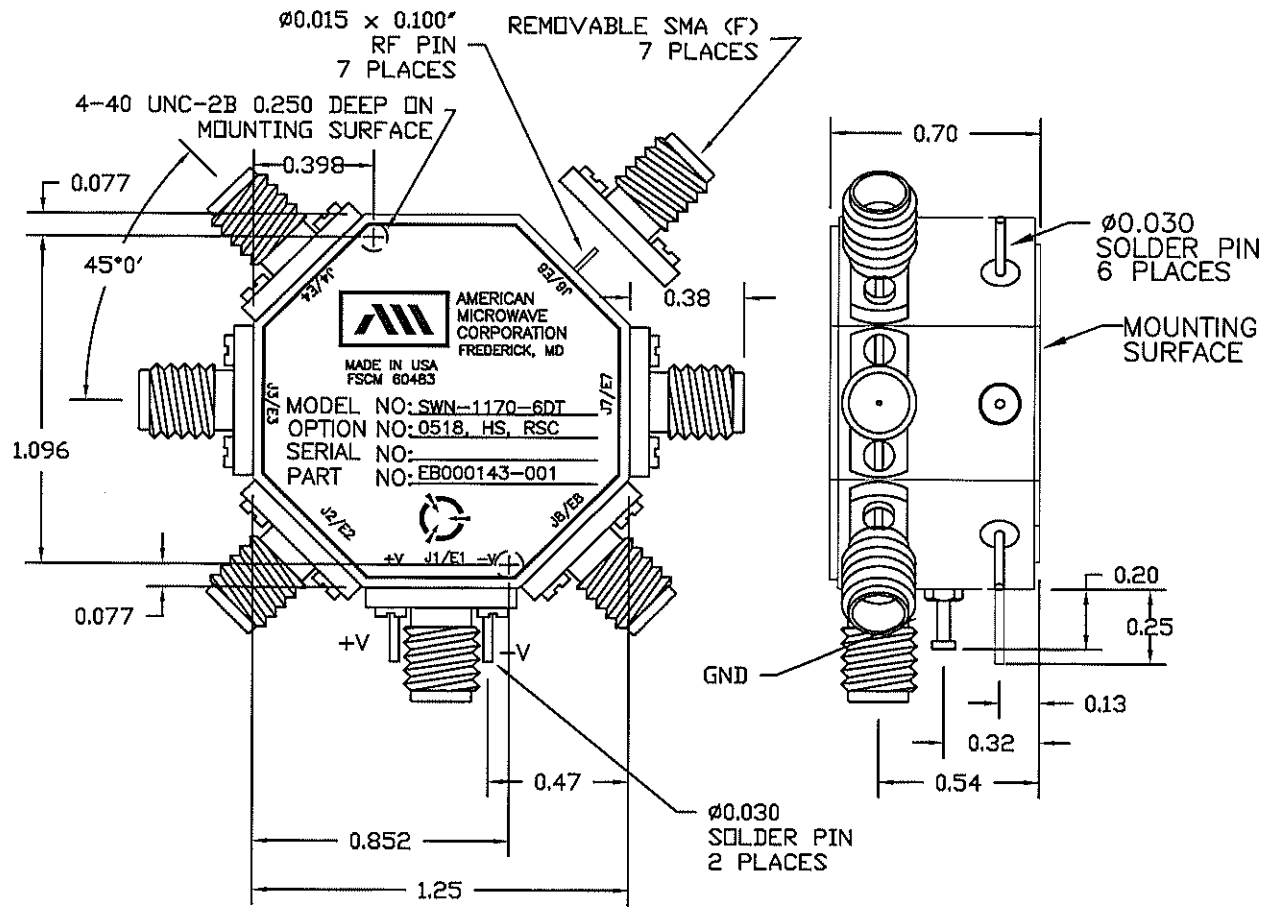
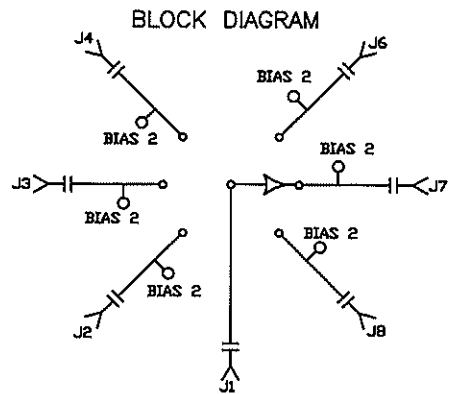
DESCRIPTION:

AMC MODEL SWN-1170-6DT-0518 OPTIONS HS, RSC IS A HERMATICALLY SEALED HIGH SPEED NON-REFLECTIVE/ABSORPTIVE SINGLE POLE SIX THROW SWITCH MODULE WITH LOW INSERTION LOSS, HIGH ISOLATION AND WITH INTEGRAL TTL DRIVER, DESIGNED FOR 0.5 GHz TO 18 GHz OPERATION.

SPECIFICATIONS:

- FREQUENCY: 0.5 GHz TO 18 GHz
- INSERTION LOSS: 4.25db
- ISOLATION: 0.5 GHz TO 2 GHz: 60db
2 GHz TO 18 GHz: 70db
- VSWR: 2.0:1
- SPEED: RISE: 10ns TYPICAL, 15ns MAXIMUM
FALL: 10ns TYPICAL, 15ns MAXIMUM
DELAY ON: 75ns TYPICAL, 100ns MAXIMUM
DELAY OFF: 75ns TYPICAL, 100ns MAXIMUM
- POWER INPUT: (CW)+20dBm
- SURVIVAL POWER: 1 WATT CW, 10 WATTS PEAK 1 usec
- CONTROL: TTL LOGIC "0"=ON "1"=OFF
- TEMPERATURE: SCREENED AT -65°C
- POWER SUPPLY: +5V @ 300 mA MAXIMUM
-5V @ 100mA MAXIMUM
- WEIGHT: 1.6 OUNCES

REVISIONS				
ZONE	REV.	DESCRIPTION	DATE	APPROVED
	A	ORIGINAL JOB# 003040E-1	03/21/00	
	B	SEE ECR# 07-130	11/7/07	<i>[Signature]</i>



CONFIDENTIAL AND PROPRIETARY

ENVIRONMENTAL RATINGS:

- TEMPERATURE: -65°C TO +85°C (OPERATING)
-65°C TO +125°C (STORAGE)
- HUMIDITY: MIL-STD-202F, METHOD 103B COND. B
- SHOCK: MIL-STD-202F, METHOD 213B COND. B
- VIBRATION: MIL-STD-202F, METHOD 204D COND. B
- ALTITUDE: MIL-STD-202F, METHOD 105C COND. B
- TEMPERATURE CYCLE: MIL-STD-202F, METHOD 107D COND. A

ALL DIMENSIONS ARE IN INCHES
TOLERANCES:
X.XX ± 0.020
X.XXX ± 0.010

NOTE: THE ABOVE SPECIFICATIONS ARE SUBJECT TO CHANGE OR REVISION

CONTRACT NO.		AMERICAN MICROWAVE CORPORATION FREDERICK, MARYLAND	
APPROVALS	DATE	TITLE	
DRAWN <i>WJCP</i>	03/21/00	PRODUCT FEATURE SWN-1170-6DT-0518 OPTIONS HS, RSC	
CHECKED <i>K.G.</i>	11/7/07	SIZE	FSCM NO.
ISSUED		A	60483
		DWG NO.	100-5331
		REV.	B
		SCALE	N/S
		SHEET	1 of 3

